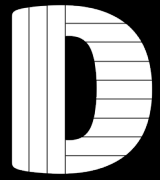


Privacy Atlas Gazebo 2400mm

Fitting Instructions



Component List

Supporting Frame

- 4 x Corner Posts 3x3 2400mm / 2070mm (Angled) (A)
- 3 x Side/Rear Bar Support 2x2 2260mm (B)

Cladding

- 41 x Treated Sawn 4x1 Timber Side Cladding 2400mm (C)
- 1 x Treated Sawn 4x1 Timber Rear Cladding 2200mm (Angled) (D)
- 1 x Treated Sawn 4x1 Timber Rear Cladding 1500mm (Angled) (E)
- 1 x Treated Sawn 4x1 Timber Rear Cladding 700mm (Angled) (F)

Apex Roof

- 26 x Featheredge Roof Cladding 2400mm (G)
- 4 x Roof Framing 2x2 2260mm (H)
- 10 x Roof Support Joist 2x2 1115mm (I)
- 2 x Treated Sawn 4x1 Timber Front Roof Fascia 1195mm (J)
- 5 x Roof Support Block 6x2 295mm (profiled) (K)
- 1 x Decorative Diamond Centre Piece (L)
- 1 x Roof Capping Rail 2400mm (M)
- 3 x Roof Support 2x2 980mm (O)
- 2 x Roof Brace 2x2 660mm (P)

Please note, there is intentionally no part (N) as a part of this kit.

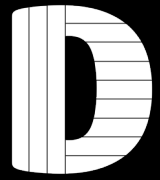
Tools Required:

- Drill driver
- Pencil
- Tape measure
- Spirit level

2 people minimum
required to assemble this
Gazebo.

Privacy Atlas Gazebo 2400mm

Fitting Instructions



Component List

Bar Top / Shelves

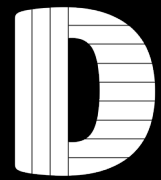
- | | |
|--|-----|
| 1 x Open Side Bar Top 9x2 2400mm (notched) | (Q) |
| 1 x Closed Side Bar Top 4x2 2400mm (notched) | (R) |
| 1 x Rear Bar Top 4x2 2230mm | (S) |

Misc. / Fixings

- | | |
|---|--------|
| Cladding Corner Finishing Pieces 1 @ 1900mm / 1 @ 940mm | (T) |
| Temporary Roof Support Braces 2x2 1000mm | (U) |
| 70 x 75mm Green Screws | (FIX1) |
| 426 x 50mm Green Screws | (FIX2) |
| 2 x Treated Sawn 4x1 Timber Cladding Spacer 100mm | (FIX3) |

Privacy Atlas Gazebo 2400mm

Fitting Instructions



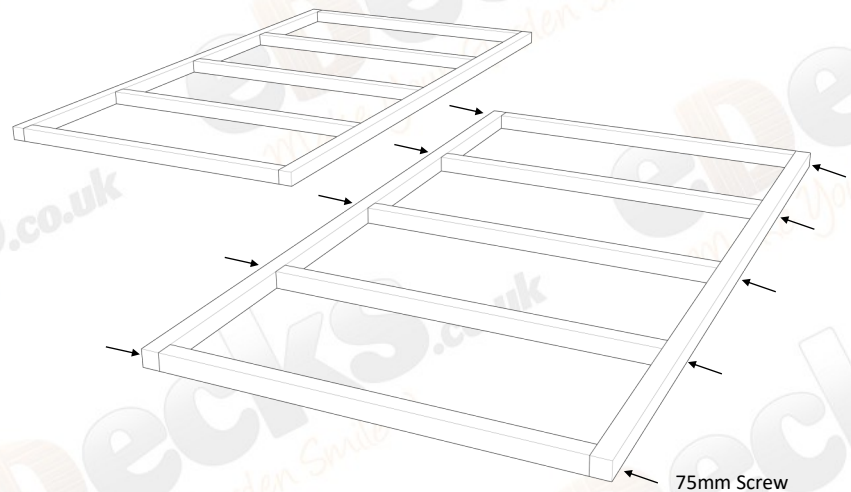
Section 1 - Assembling the Apex Roof

Step 1

Start by evenly spacing 5 x 2x2 Roof Framing 1115 (I) and boxing them in with 2 x 2x2 Roof Framing 2260mm (H) to create a frame, repeat this for the opposing side.

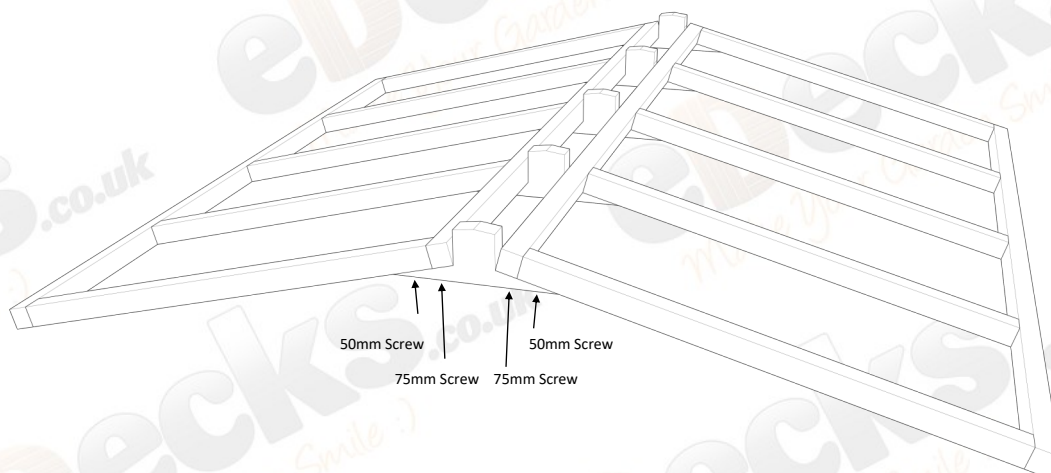
Use 75mm Green Screws (FIX 1) screws as indicated in the diagram.

20 x 75mm screws in total (10 for each frame)



Step 2

To create the apex, join the two frames together using the Roof Centre Support Wedges (K) attach the front and back wedges first and then the centres. Attach the wedges using 4 screws from the underside of the wedge, use 50mm Green Screws (FIX 2) on the outside of the wedge and 75mm Green Screws (FIX 1) on the inside of the wedge.



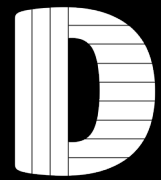
12 x 75mm & 12 x 50mm Screws to secure frame to wedges

All images are for illustration only. Please see individual item listings for actual item specifications.

Page 3 of 12

Privacy Atlas Gazebo 2400mm

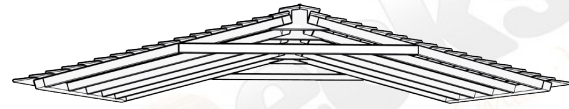
Fitting Instructions



Section 1 - Assembling the Apex Roof

Step 3

Before you start cladding, attach the 2 x Temporary Roof Support Braces 2x2 1000mm (**U**) to the front and rear of the roof as shown opposite with 4 x 50mm Screws (**FIX2**) per side.



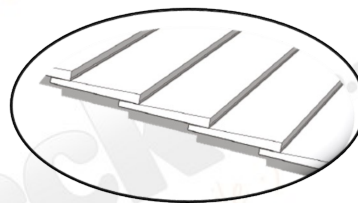
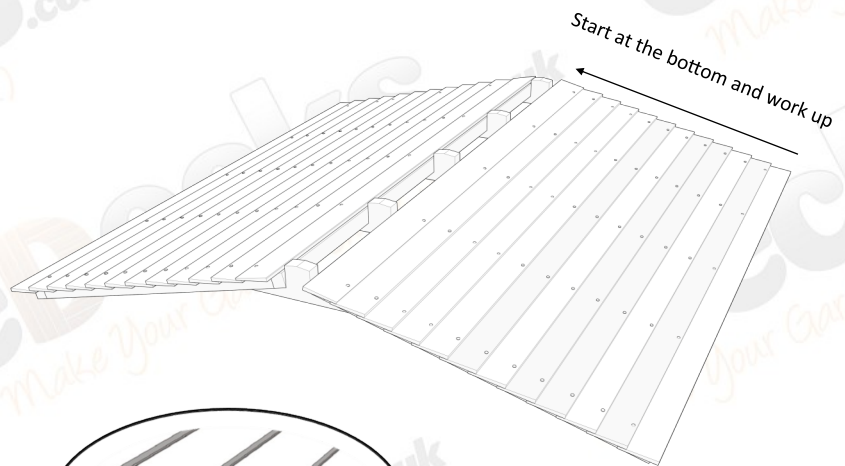
Temporary roof supports fitted to front and rear of roof for support during construction

Attach the Featheredge Roofing 2400mm (**G**) to the roof starting from the bottom to the top of the apex using 50mm Green Screws (**FIX 2**) into the roof framing below.

It is critical that the first board overhangs the roof framing at the bottom of each apex by 20mm.

Remember to leave a minimum of 15mm overlap on each board.

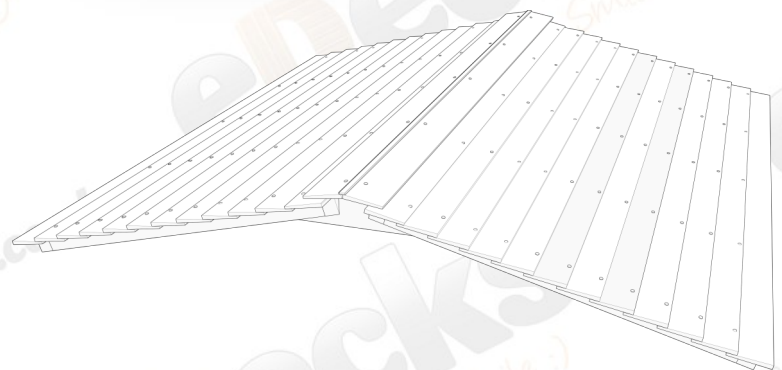
A total of 130 x 50mm Green Screws (**FIX2**) will be needed for the roof.



Remember to leave minimum of 15mm overlap on each board and to screw through the thick part of the featheredge board using 40mm screws into the roof framing below .

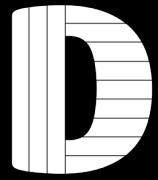
Step 4

To complete the apex on the roof use the two remaining Featheredge Roofing 2400mm (**G**) and fix them to the roof support blocks (**K**) as shown and cap off with 5 x 50mm Green Screws (**FIX 2**) into the Roof Capping Rail 2400mm (**M**).



Privacy Atlas Gazebo 2400mm

Fitting Instructions



Section 2 - Assembling the Frame

Step 5

Begin by laying out two of your Corner Posts (**A**) and place on the first piece of 4x1 Timber Side Cladding 2400mm (**C**). This panel will become the closed side. Make sure the corner posts are sloping down to the outside face.

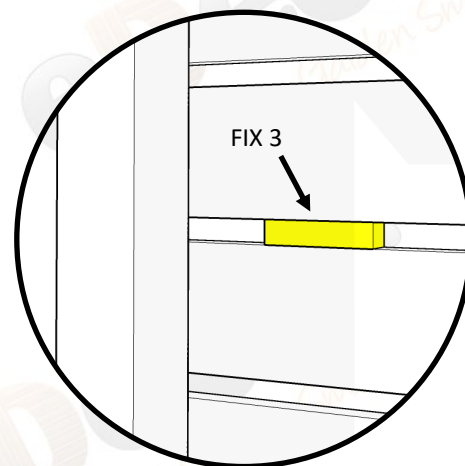
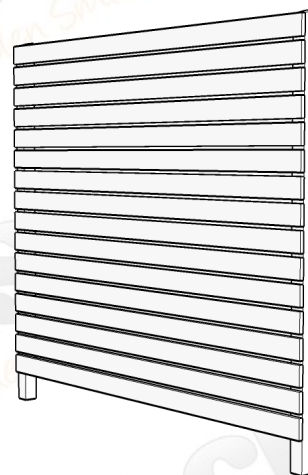
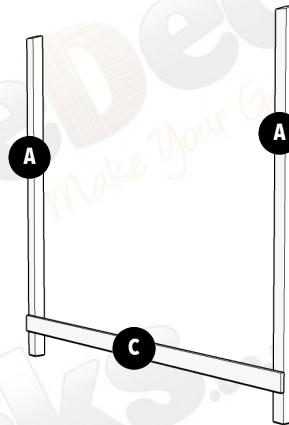
Depending on your post fixing option, the bottom edge of this board will need to be 770mm up from the bottom of the post if concreting in place, or 170mm up if using bolt down anchors / post spikes.

Fix this board in place using 2 x 50mm Green Screws (**FIX 2**) per side. Use a level to make sure this first

Once the first piece of cladding is fixed into place the remaining pieces can be fastened to the posts following the same method, 2 x 50mm Green Screws (**FIX 2**) per board, per side.

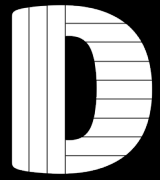
To create even gaps between the pieces of cladding use the 2 x 100mm Cladding Spacers (**FIX 3**) at each end of the frame to place in between the boards as indicated in the diagram, repeat this process working up the post until you have 16 cladding pieces installed, this should end with your last board being flush with the top, outside edge of the corner post.

The top piece of cladding being flush is of **critical importance** when fitting the roof later on so please take care when installing this final bit of cladding.



Privacy Atlas Gazebo 2400mm

Fitting Instructions



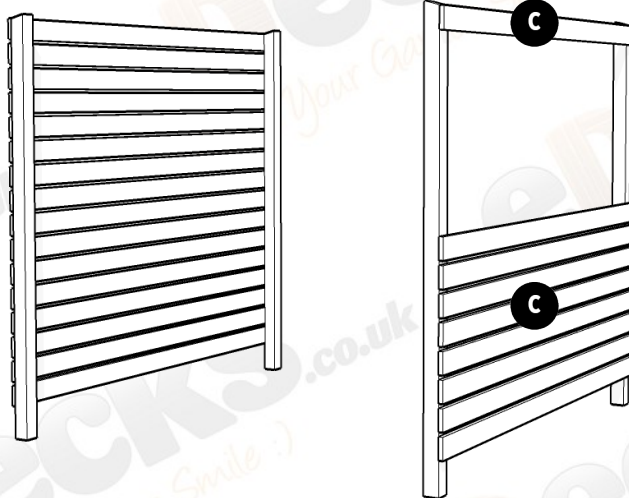
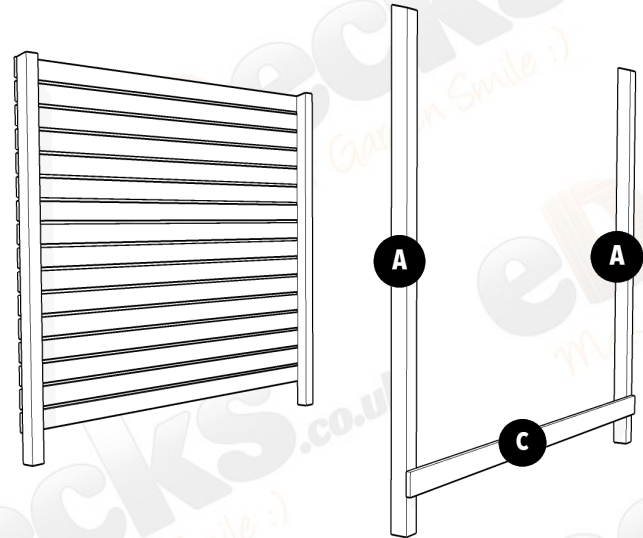
Section 2 - Assembling the Frame

Step 6

In this step you will be making the other side of the frame, this is done exactly the same as in Step 5, using 2 x Corner Posts (A) and 8 x pieces of 4x1 Timber Side Cladding 2400mm (C). The only difference on this side is that the cladding only goes half way up the frame as this forms the open side of the gazebo.

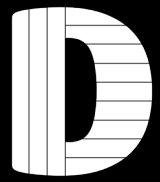
Carefully measure out your starting point for the first board and make sure it matches the position of the first board that you fastened into place on the closed side of the bar.

Remember, use 2 x 50mm Green Screws (FIX 2) per board, per side and to use the 2 x 100mm Cladding Spacers (FIX 3) at each end of the frame to ensure uniform gaps between your cladding boards.



Privacy Atlas Gazebo 2400mm

Fitting Instructions



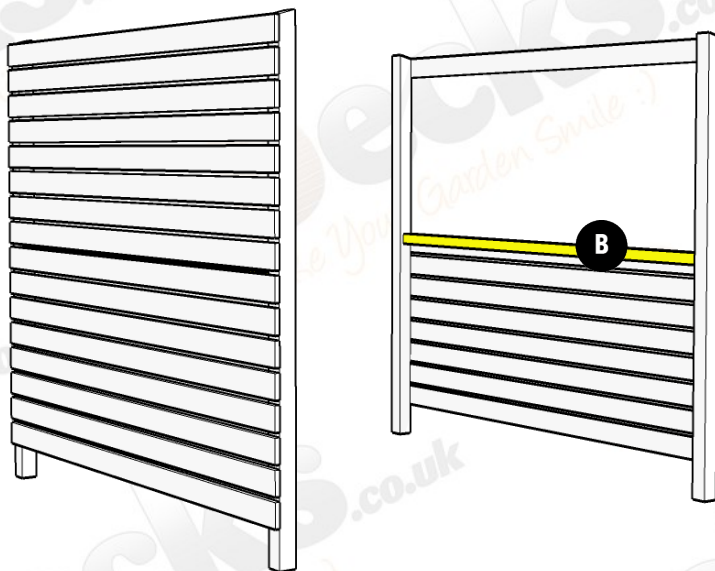
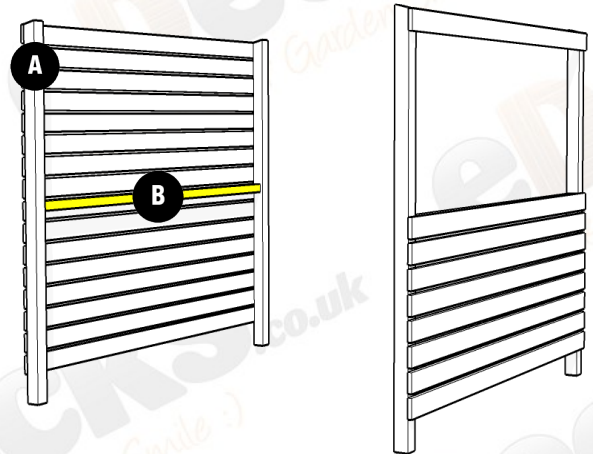
Section 2 - Assembling the Frame

Step 7

Take 1 x Side/Rear Bar Support 2x2 2260mm **(B)** and fasten to the inside of the frame you built in step 5, the top edge of this should be inline with the top edge of the eighth cladding board. The Bar Support **(B)** should fit flush between the two Corner Posts **(A)**.

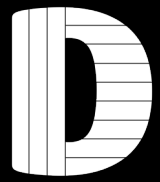
Secure in place by driving 4 x 50mm Green Screws **(FIX 2)** equally spaced, through the cladding from the outside and into the Bar Support **(B)** to hold it securely in place.

Repeat the process on the open side frame which was built in step 6, on this side the Side/Rear Bar Support 2x2 2260mm **(B)** will be level with the top cladding board.



Privacy Atlas Gazebo 2400mm

Fitting Instructions



Section 2 - Assembling the Frame

Step 8

Now that both side panels have been built, they need to be secured in place using your chosen fixing method. If you wish to have the open bar side on the opposite side, now is your opportunity before securing the sides in place, and deciding which posts to secure the rear cladding to.

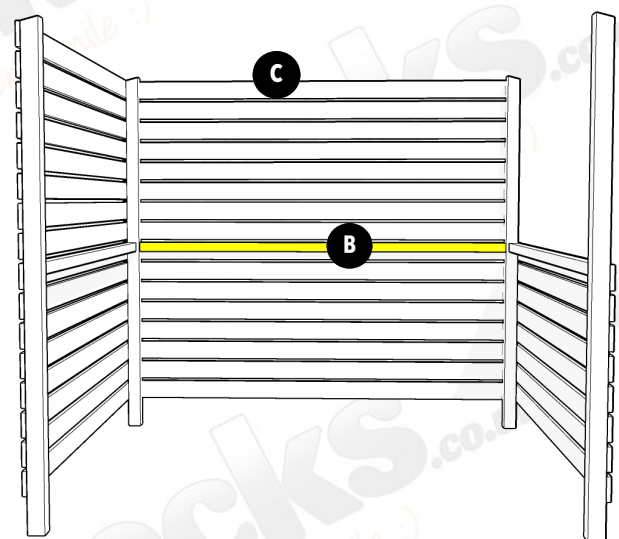
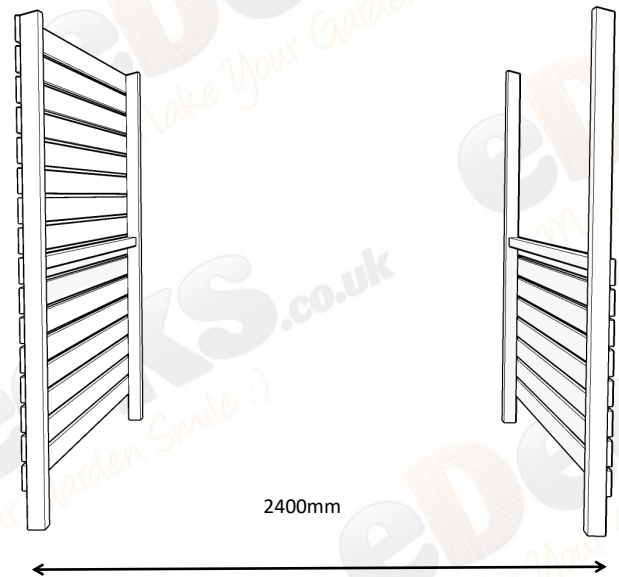
Carefully measure out the area so that the outside edge of your Corner Posts **(A)** are 2400mm apart, this is crucial for the rear cladding to fit across the back of your gazebo.

Ensure that a tape measure is used and that you check the measurements at both the front and the back to make sure your Gazebo is square.

Once the two sides are fixed in place it is simply a case of lining up the remaining 4x1 Timber Cladding 2400mm **(C)**, with the rear posts and fixing it in place using 2 x 50mm Green Screws **(FIX 2)** per board, per side as previously.

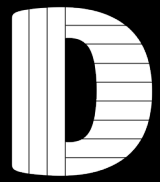
With the rear cladding in place, attach the final Side/Rear Bar Support 2x2 2260mm **(B)** as per in step 6. The top edge of this should be inline with the top edge of the eighth cladding board. The Bar Support **(B)** should fit flush between the two Corner Posts **(A)**.

Secure in place by driving 4 x 50mm Green Screws **(FIX 2)** through the cladding from the outside and into the Bar Support **(B)** to hold it securely in place.



Privacy Atlas Gazebo 2400mm

Fitting Instructions



Section 3 - Attaching Bar Tops

Step 9

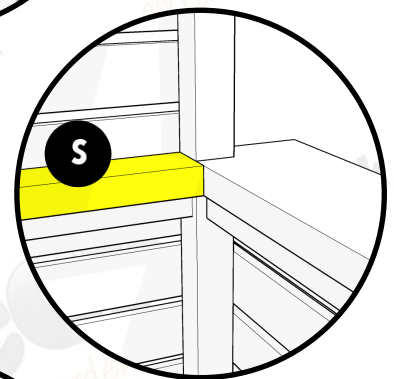
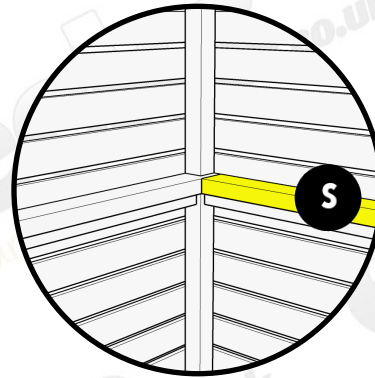
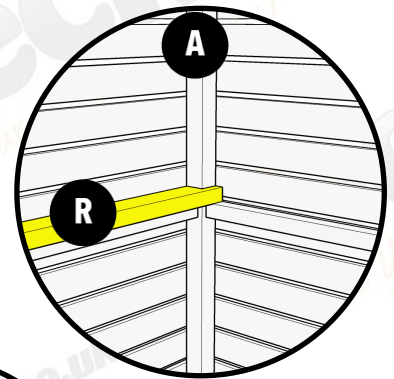
With the frame now built and joined together the bar tops can be installed, these must be done in the following order for the notches pieces to fit.

Firstly, the Closed Side Bar Top 4x2 2400mm **(R)** must be inserted, this will fit flush on top of the Side Bar Support 2x2 2260mm **(B)** with the notches fitting around the Corner Posts **(A)**.

To fix down the bar top, drive through the Bar Support **(B)** from underneath with 4 x equally spaced 75mm Green Screws **(FIX 1)**. Screwing from underneath will keep all screws hidden and your Bar Top **(B)** looking clean and tidy.

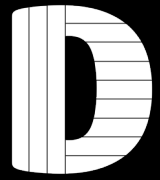
The next piece to install is the Rear Bar Top 4x2 2230mm **(S)**, this piece sits inside both Rear Posts **(A)** and on top of the Bar Support **(B)**. As per previous to fix down the bar top, drive through the Bar Support **(B)** from underneath with 4 x equally spaced 75mm Green Screws **(FIX 1)**, again screwing from underneath will keep all screws hidden.

The final bar top, Open Side Bar Top 9x2 2400mm **(Q)** can then be secured in place by driving through the Bar Support **(B)** from inside of the Gazebo, underneath using 4 x equally spaced 75mm Green Screws **(FIX 1)**.



Privacy Atlas Gazebo 2400mm

Fitting Instructions

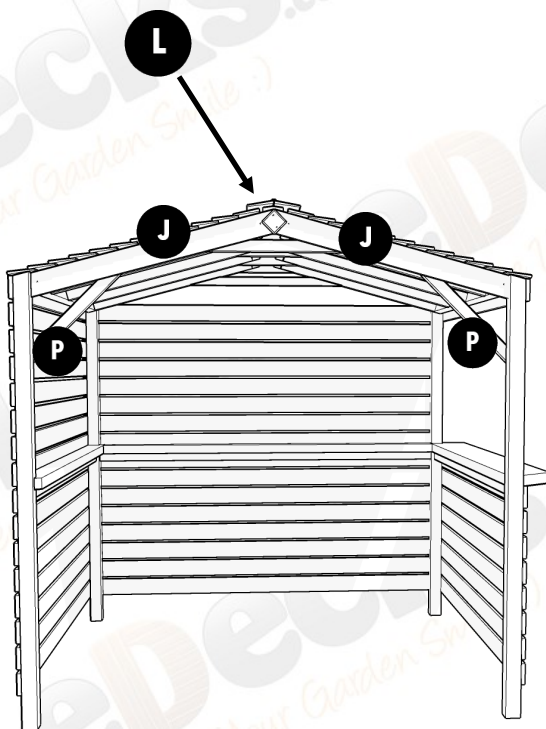
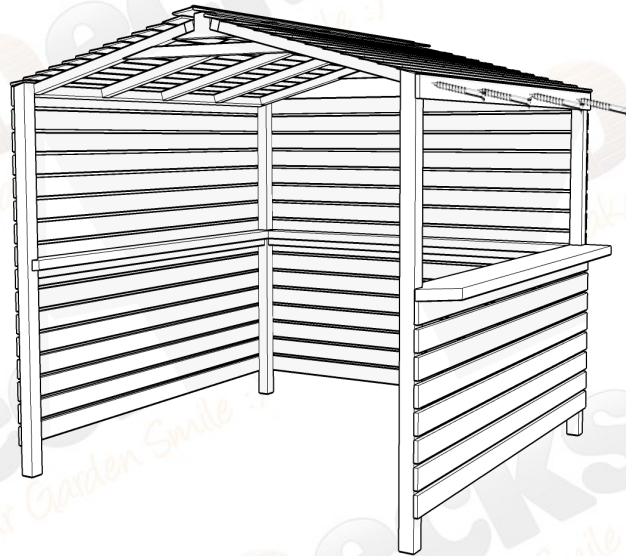


Section 3 - Fixing The Apex Roof

Step 10

Lift the roof above the gazebo and rest it in place in between the posts, on top of the horizontal cladding on the closed side.

Using 50mm Green Screws (**FIX 2**) as indicated in the diagram, secure the roof in place by driving from the outside, through the top piece of cladding and into 2x2 Roof Framing 2260mm (**H**).



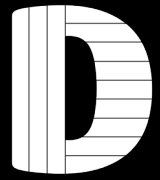
Add the 2 x 4x1 Roof Fascia's 1195mm (**J**) to the front of the gazebo using 2 x 50mm Green Screws (**FIX 2**) at each end.

Add the 2 x Roof Brace 2x2 660mm (**P**) using 1 x 75mm Green Screws (**FIX 1**) at either end of the brace into the Front Corner Posts (**A**).

Add the Diamond Centre Piece (**L**) using 2 x 75mm Green Screws (**FIX 1**) to complete the roof.

Privacy Atlas Gazebo 2400mm

Fitting Instructions



Section 4 - Finishing Touches

Step 11

Once the roof is securely fastened in place the remaining pieces of 4x1 Timber Rear Cladding can now be fitted.

2200mm (D)

1500mm (E)

700mm (F)

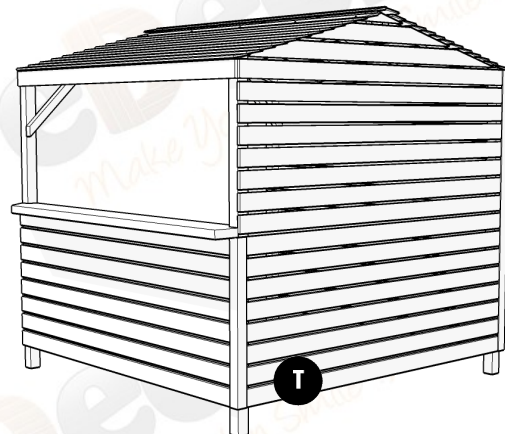
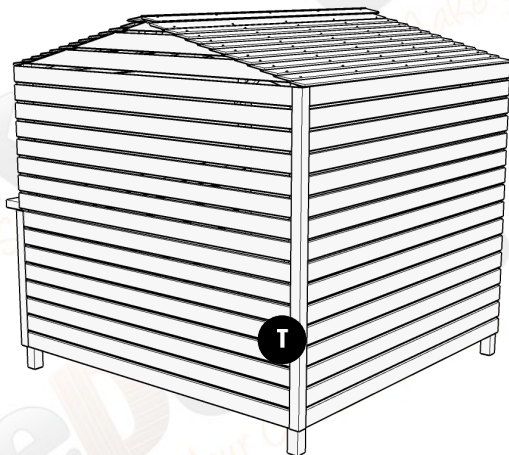
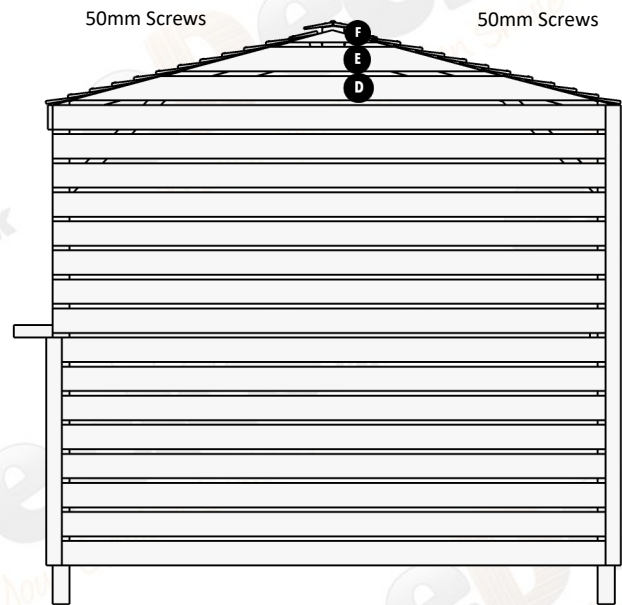
These pieces of cladding are to be attached to the back most 2x2 Roof Framing 1115 (I) to complete the rear of your gazebo.

As per all previous side and rear cladding, these are to be fixed in place using 2 x 50mm Green Screws (FIX 2) per board, per side.

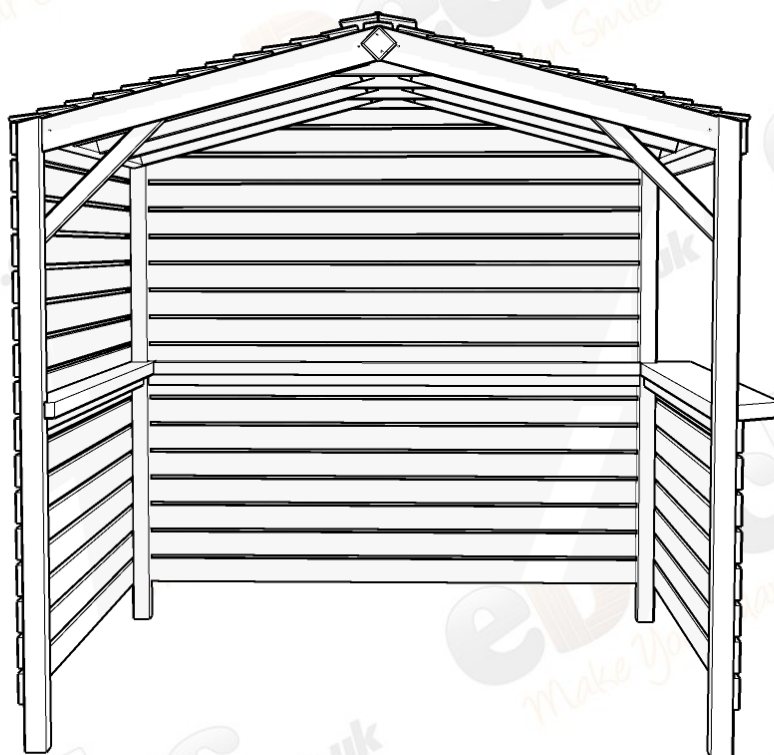
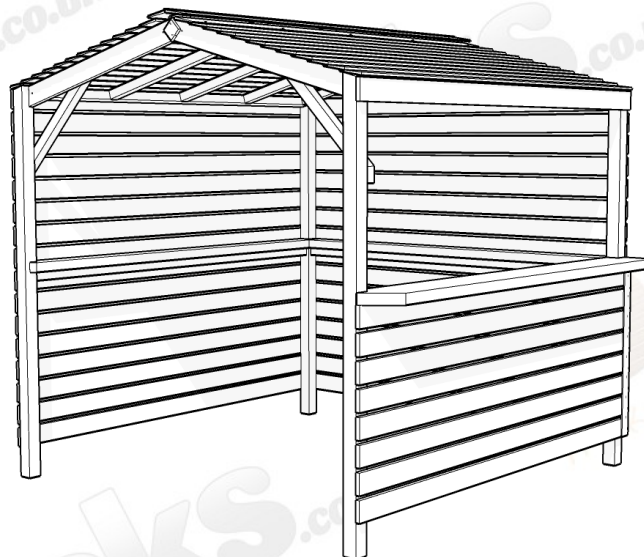
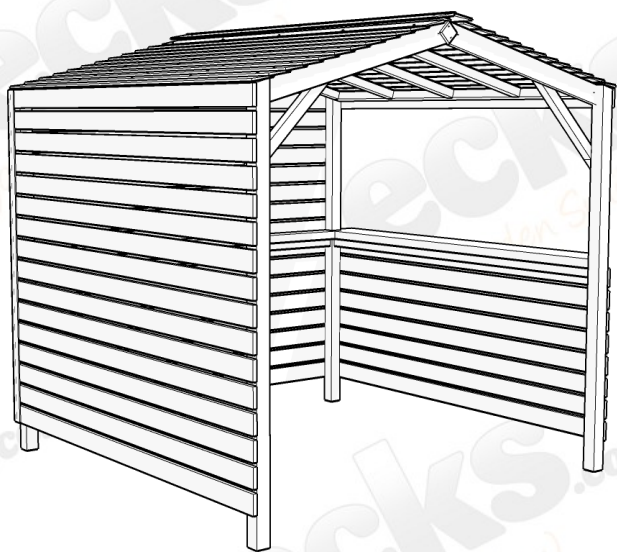
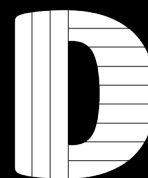
Remember to use the 2 x 100mm Cladding Spacers

To finish your new gazebo, use the 2 x Cladding Corner Finishing Pieces (T) to cover where your cladding boards join on the corners of the frame. The longer length 1900mm piece is used on the closed side and the 940mm piece on the open side.

These are secured in place using 9 x equally spaced 50mm Green Screws (FIX 2) in total.



Privacy Atlas Gazebo 2400mm Fitting Instructions



Enjoy your new Privacy Atlas Gazebo!

All images are for illustration only. Please see individual item listings for actual item specifications.

Page 12 of 12